

# ARIEL

## CAMBRIDGE 61" DOUBLE SINK VANITY SET

MODEL: A061D

Cabinet Size 60"W x 21.5"D x 33.5"H

Features

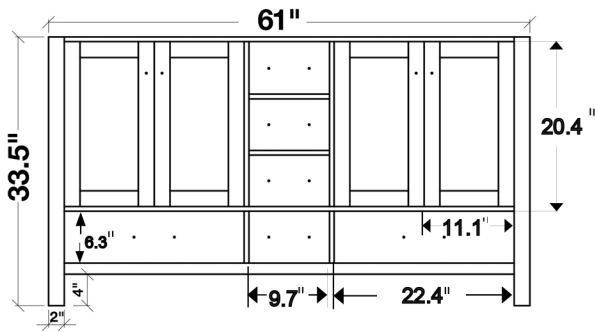
- Solid Wood Construction
- Four Soft-Closing Doors
- Six Full-Extension, Dove-Tail Construction, Soft-Closing Drawers
- Satin Nickel Finish Hardware



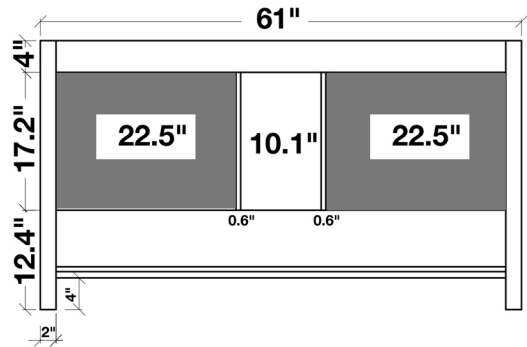
COLLECTION:

ARIEL CAMBRIDGE

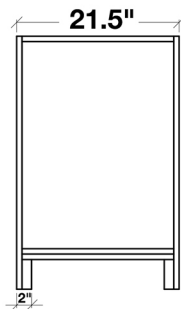
FRONT



BACK VIEW



SIDE VIEW



# ARIEL

## CARRARA WHITE MARBLE COUNTERTOP

MODEL: A061D-CT

Dimensions

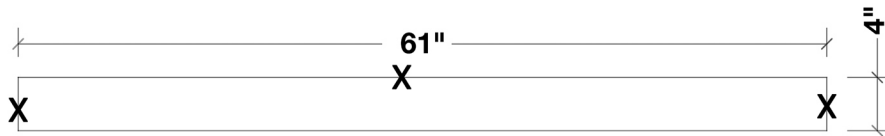
61"W x 22"D x 1.5"H

Features

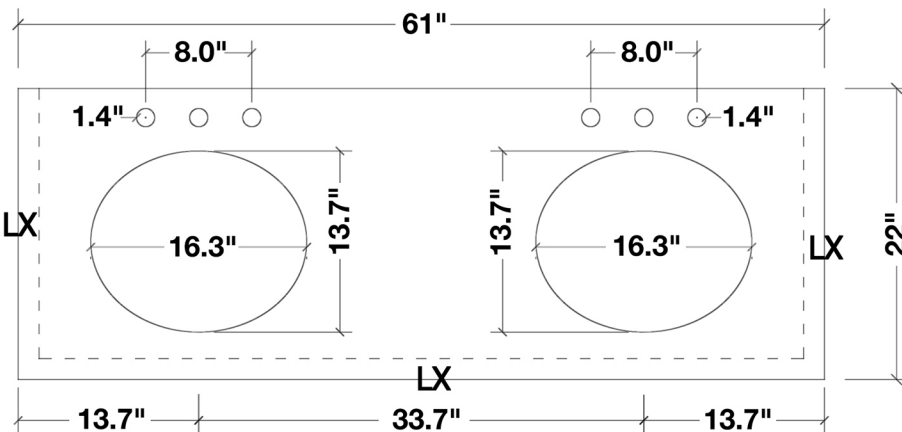
- Carrara White Marble Countertop w/ 1.5" Edge and Matching Backsplash
- Countertop Pre-Drilled for 8" Widespread Faucets
- Two Ceramic, Round, UPC Certified Under-Mount Sinks
- Matching Backsplash Included

All stone tops are finished by hand, pre-drilled for 8" widespread faucets, and double-sealed for scratch resistance and long term durability.

### BACKSPLASH



### TOP VIEW



### 1.5" EDGE SIDE VIEW

