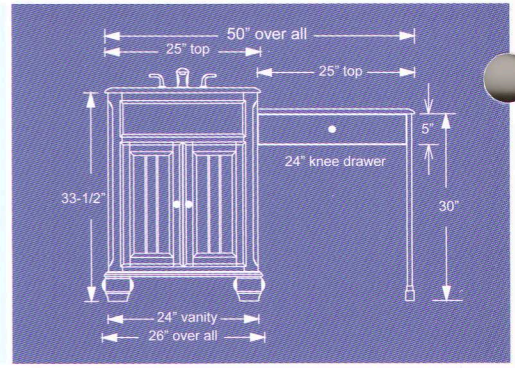


COTTAGE, COTTAGE II and COTTAGE III configuration



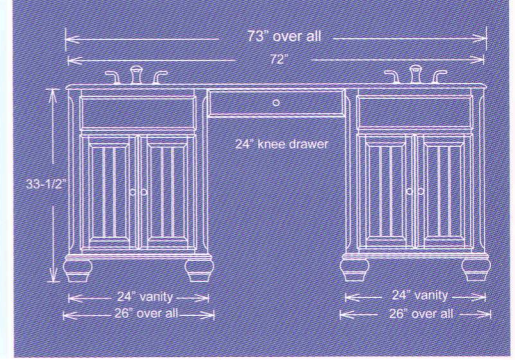
Overall width: 50"

24" Vanity: 126-24, 136-24 or 156-24
 Vanity Top: T-2522 (GG or WC)
 24" Knee Drawer: 126-KD24, 136-KD24 or 156-KD24
 25" Knee Drawer Top: T-2522KDR (or L) (GG or WC)
 Knee Drawer Side Panel: 126-KDP30, 136-KDP30 or 156-KDP30 (R or L) Shown as R



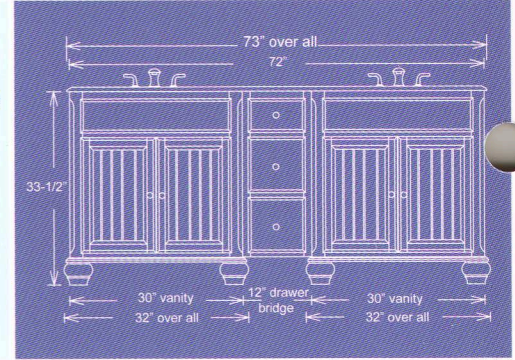
Overall width: 73"

24" Vanity: 2 @ 126-24, 136-24 or 156-24
 24" Knee Drawer: 126-KD24, 136-KD24 or 156-KD24
 Vanity Top: T-11772 (BA or GG)
 bowl opening center to center: 48"



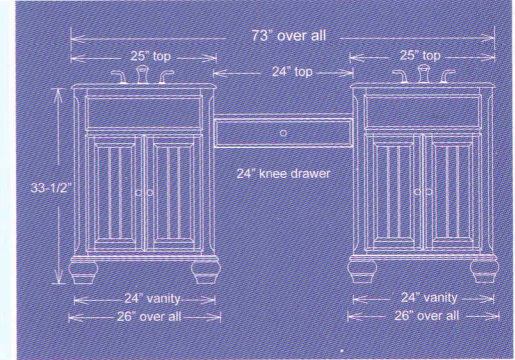
Overall width: 73"

2 @ 30" Vanity: 2 @ 126-30, 136-30 or 156-30
 12" Drawer Bridge: 126-DB12, 136-DB12 or 156-DB12
 Vanity Top: T-7322D (GG or WC)
 bowl opening center to center: 42"



Overall width: 73"

2 @ 24" Vanity: 2 @ 126-24, 136-24 or 156-24
 2 @ Vanity Top: 2 @ T-2522 (GG or WC)
 24" Knee Drawer: 126-KD24, 136-KD24 or 156-KD24
 Knee Drawer Top: T-2422KD (GG or WC)
 bowl opening center to center: 48"



Overall width: 61"

2 @ 24" Vanity: 2 @ 126-24, 136-24 or 156-24
 12" Drawer Bridge: 126-DB12, 136-DB12 or 156-DB12
 Vanity Top: T-6122D (GG or WC)
 bowl opening center to center: 36"

